

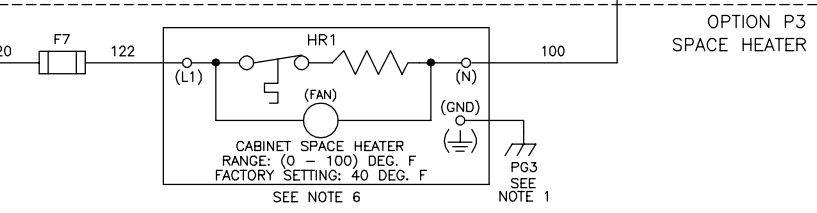
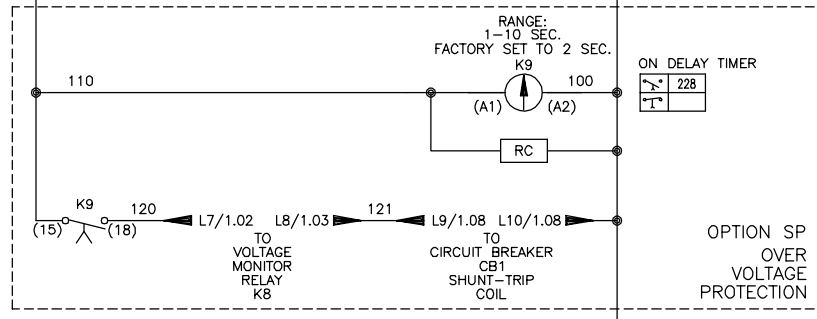
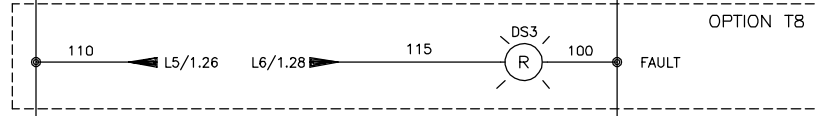
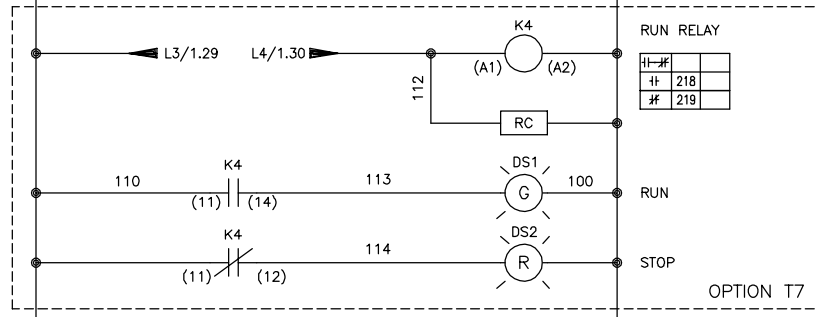
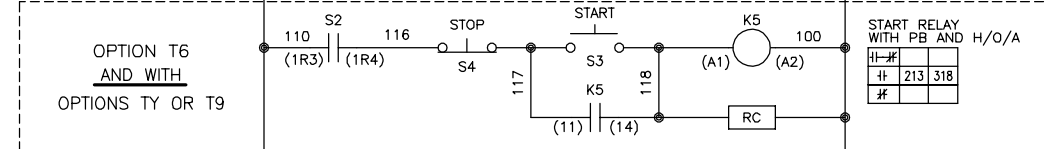
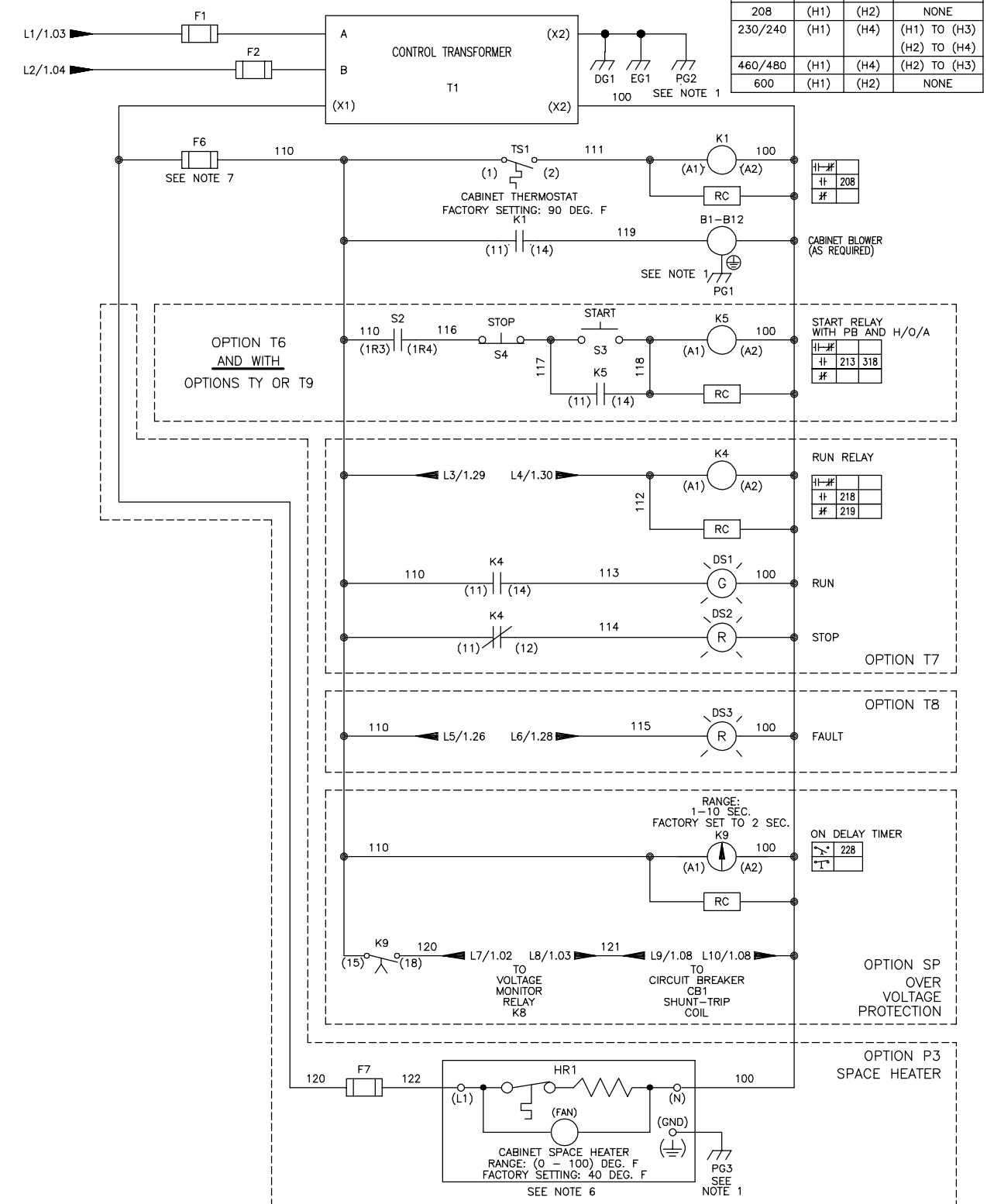
- NOTES:
- CONNECTED TO THE CABINET. CUSTOMER TO CONNECT THE CABINET GROUND LUGS TO EARTH GROUND AND UTILITY GROUND. OR CONDUIT FITTINGS/HUBS SHALL COMPLY WITH THE 'STANDARD FOR CONDUIT, TUBING, AND CABLE FITTINGS, UL 514B'. OR CONDUIT FITTINGS HAVING THE SAME ENVIRONMENTAL RATING AS THE ENCLOSURE SHALL BE USED.
 - WITHOUT THE CIRCUIT BREAKER (OPTION PC OR PE), OR DISCONNECT SWITCH OPTION PD, THE DISCONNECT MEANS MUST BE SUPPLIED BY THE CUSTOMER.
 - BRANCH CIRCUIT PROTECTION TO BE SUPPLIED BY THE CUSTOMER WHEN NOTED ON THE CABINET DATA NAMEPLATE.
 - INSULATED TWISTED SHIELDED WIRE IS REQUIRED. SHIELD TO CONNECT TO PROPER TERMINALS AS SHOWN. CONNECT THE SHIELD ONLY AT THIS END. STUB AND ISOLATE THE OTHER END. DO NOT RUN THESE WIRES IN THE SAME CONDUIT AS THE AC POWER AND AC CONTROL WIRES. KEEP ALL WIRING UNDER 50m IN LENGTH.
 - CUSTOMER TO ADJUST THE THERMOSTAT ON THE SPACE HEATER HR1 FOR THE MINIMUM DESIRED TEMPERATURE INSIDE THE DRIVE CABINET. THIS SET TEMPERATURE IS NORMALLY SELECTED TO BE SLIGHTLY HIGHER THAN THE MINIMUM AMBIENT TEMPERATURE OF THE AIR SURROUNDING THE CABINET, AND IS THE TEMPERATURE AT WHICH THE SPACE HEATER HR1 WILL SHUT OFF.
 - FOR A CONTROL TRANSFORMER T1 POWER RATING OF 350VA OR GREATER, SECONDARY FUSE F6 IS ADDED.
 - IF AC MOTOR IS FURNISHED WITH A N.C. THERMAL SWITCH THEN SET DRIVE PARAMETER H1-08 TO 27. THIS WILL CAUSE THE DRIVE TO COAST TO STOP UPON AN AC MOTOR THERMAL FAULT. ALONG WITH THIS, ADD THE FOLLOWING CUSTOMER WIRING: WIRE THE N.C. THERMAL SWITCH BETWEEN TERMINAL S8 OF THE 120VAC INTERFACE CARD AND ONE SIDE OF THE 120VAC SOURCE.
 - OPTIONS TD, TG, TH, TJ, TL, TQ OR TU CONTROL (SEE UDE00392 FOR MORE INFORMATION)
 - CUSTOMER TO REPLACE THE JUMPER WITH NORMALLY CLOSED SAFETY INTERLOCKS, IF APPLICABLE.

* - INDICATES COMPONENTS NOT SUPPLIED BY YASKAWA.
 - - INDICATES CUSTOMER WIRING.
 SEE DRAWING UDE00391 FOR CUSTOMER CONNECTION TABLES.
 SEE DRAWING UDE00392 FOR DRIVE PARAMETER SETTINGS.

REVISIONS				
REV.	DESCRIPTION	ECO #	DRAWN BY	DATE
08	ADD OPTION P9 SURGE SUPPRESSOR	8264	RCR	01/08/18
07	DELETED WIRE NO'S 1L1 AND 1L2 TO F1 AND F2	7812	NSL	04/07/17
06	ADD K5 TO HOA W/T6 & SERIAL COMM'S	7217	MDK	06/28/16

YASKAWA		DRAWN BY: D.R. CMELAK	DATE: 11/16/12	TITLE: SCHEMATIC DIAGRAM IQPUMP1000 CONFIGURED TYPE 3R - F2 ENCL.
		CHECKED: D. PACKER	DATE: 11/16/12	
		APPROVED: K. FLIERL	DATE: 11/16/12	SIZE: D REVISION: 08 PAGE: 1 of 3
		ORIGINAL DESIGN: D.R. CMELAK	DATE: 11/16/12	DRAWING #: DS.Q1C3R.03

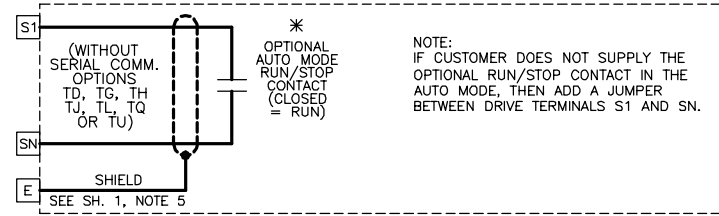
INPUT VOLTS	TERMINALS		JUMPER LOCATION
	A	B	
208	(H1)	(H2)	NONE
230/240	(H1)	(H4)	(H1) TO (H3) (H2) TO (H4)
460/480	(H1)	(H4)	(H2) TO (H3)
600	(H1)	(H2)	NONE



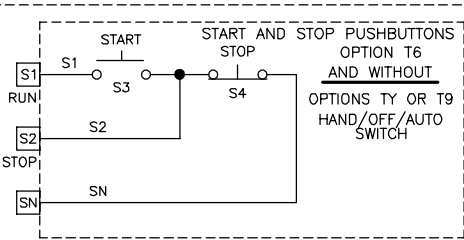
SEE SHEET 1 FOR NOTES.

YASKAWA	DRAWN BY: D.R. CMELAK	DATE: 11/16/12	TITLE: SCHEMATIC DIAGRAM
	CHECKED: D. PACKER	DATE: 11/16/12	IQPUMP1000 CONFIGURED
<small>THIS DOCUMENT AND INFORMATION CONTAINED IN IT ARE CONFIDENTIAL, AND CANNOT BE COPIED OR DISCLOSED IN WHOLE OR IN PART WITHOUT THE EXPRESS WRITTEN CONSENT OF YASKAWA AMERICA INC.</small>			TYPE: F2 ENCL. SIZE: D REVISION: 08 PAGE: 2 of 3
APPROVED: K. FLIERL	DATE: 11/16/12	DRAWING #: DS.Q1C3R.03	
ORIGINAL DESIGN: D.R. CMELAK	DATE: 11/16/12		

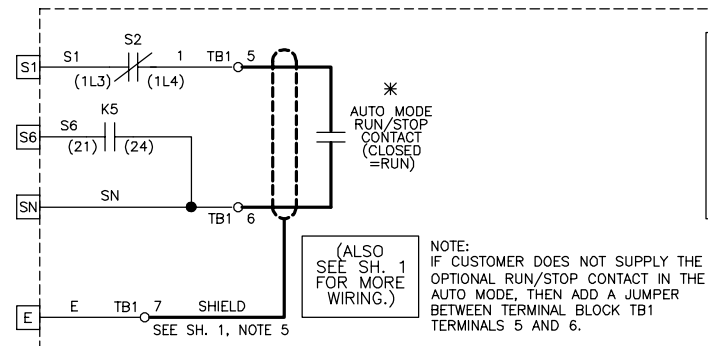
RUN/STOP CONTROL (FROM SHEET 1)



OR



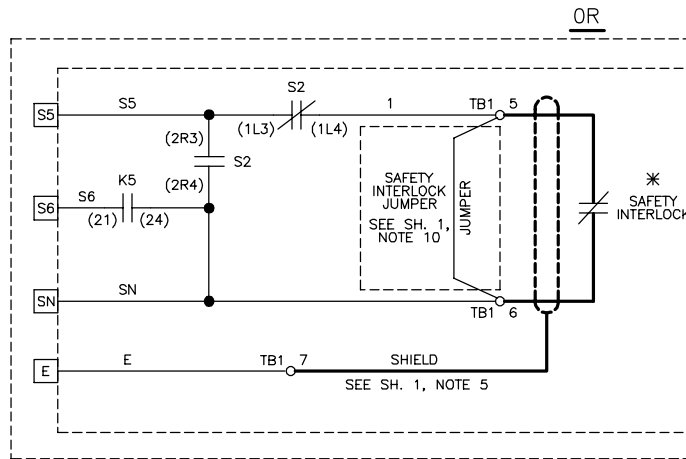
OR



CONTACT SEQUENCE CHART FOR S2
X - INDICATES CONTACT CLOSED

CONTACT	POSITION			MANUF. LOCATION /TYPE
	HAND	OFF	AUTO*	
1	X			1RO
2			X	1LO

* SCHEMATIC SHOWS THIS POSITION.



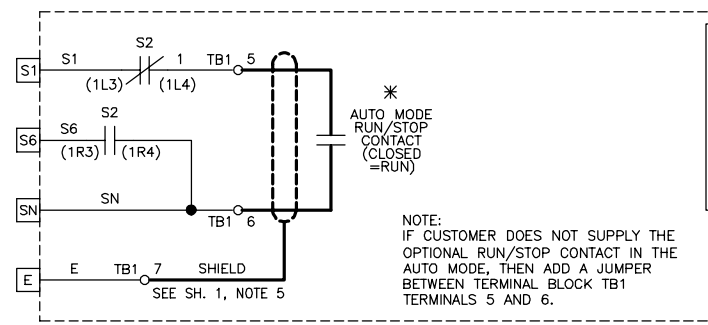
CONTACT SEQUENCE CHART FOR S2
X - INDICATES CONTACT CLOSED

CONTACT	POSITION			MANUF. LOCATION /TYPE
	HAND	OFF	AUTO*	
1	X			1RO
2			X	1LO
3	X			2RO

* SCHEMATIC SHOWS THIS POSITION.

OPTION TY, OR PART OF OPTION T9 HAND/OFF/AUTO SWITCH AND WITH T6 OPTIONS TD, TG, TH, TJ, TL, TQ OR TU SERIAL COMMUNICATIONS

OR

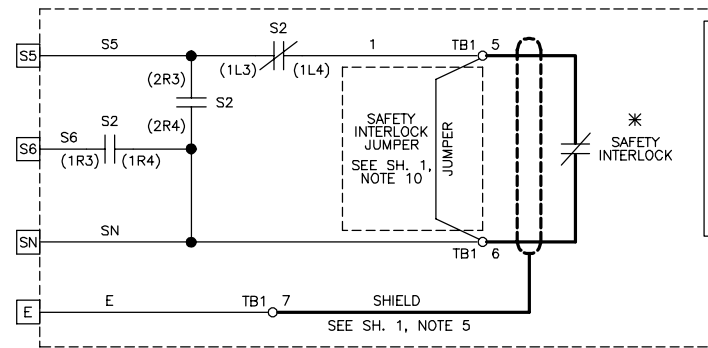


CONTACT SEQUENCE CHART FOR S2
X - INDICATES CONTACT CLOSED

CONTACT	POSITION			MANUF. LOCATION /TYPE
	HAND	OFF	AUTO*	
1	X			1RO
2			X	1LO

* SCHEMATIC SHOWS THIS POSITION.

OR



CONTACT SEQUENCE CHART FOR S2
X - INDICATES CONTACT CLOSED

CONTACT	POSITION			MANUF. LOCATION /TYPE
	HAND	OFF	AUTO*	
1	X			1RO
2			X	1LO
3	X			2RO

* SCHEMATIC SHOWS THIS POSITION.

OPTION TY, OR PART OF OPTION T9 HAND/OFF/AUTO SWITCH AND WITH T6 OPTIONS TD, TG, TH, TJ, TL, TQ OR TU SERIAL COMMUNICATIONS

SEE SHEET 1 FOR NOTES.

YASKAWA

THIS DOCUMENT AND INFORMATION CONTAINED IN IT ARE CONFIDENTIAL, AND CANNOT BE COPIED OR DISCLOSED IN WHOLE OR IN PART WITHOUT THE EXPRESS WRITTEN CONSENT OF YASKAWA AMERICA INC.

DRAWN BY: D.R. CMELAK	DATE: 11/16/12	TITLE: SCHEMATIC DIAGRAM IQPUMP1000 CONFIGURED TYPE 3R - F2 ENCL.
CHECKED BY: D. PACKER	DATE: 11/16/12	
APPROVED BY: K. FLIERL	DATE: 11/16/12	SIZE: D
ORIGINAL DESIGN: D.R. CMELAK	DATE: 11/16/12	REVISION: 08
		PAGE: 3 of 3

DRAWING #: DS.Q1C3R.03